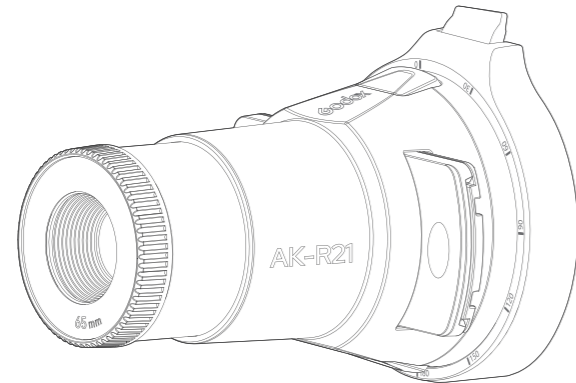


Godox



AK-R21

闪光灯投影器
Projection Attachment for Flash Head
使用手册
Instruction Manual

前言

感谢您购买神牛产品。
闪光灯投影器 AK-R21 适用于市面上大多数磁性圆口闪光灯及方头机顶闪光灯，搭配各类投影片，能将普通的墙壁变成创意图案、绝美风景、幻想空间、特别纹理、艺术画布等光效。请仔细阅读本说明书，以便能正确的操作，发挥本产品的优越性能。

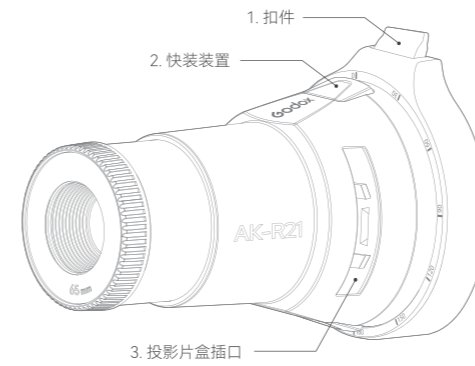
使用限制说明

1. 该投影器搭配机顶灯 V860II、V860III、TT685、TT685II、V1 系列使用时，请将 Zoom 值调整为最大值 (Zoom=200mm)。
2. 该投影器搭配外拍灯 AD100Pro 使用时，请将 Zoom 值调整为最大值 (Zoom=85mm)。
3. 该投影器搭配外拍灯 AD200Pro (直管灯头) 使用时，支持 $\leq 1/4+0.2$ 档位使用。
4. 该投影器搭配外拍灯 AD200Pro (圆灯头) 使用时，支持 $\leq 1/2$ 档位使用。

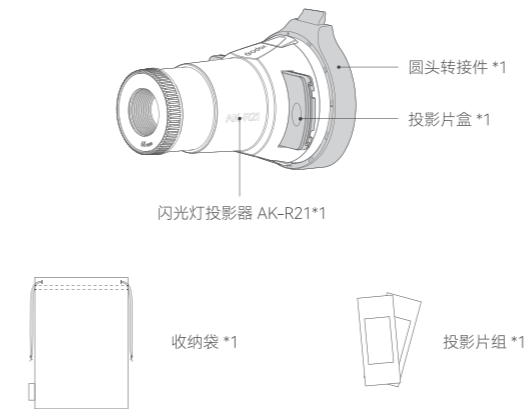
适用的神牛机型

V860II、V860III、TT685、TT685II、V850III、V1、AD100Pro、AD200Pro
注：投影器搭配方头闪光灯时，需另购方头转接座 AK-R25

结构



物料清单

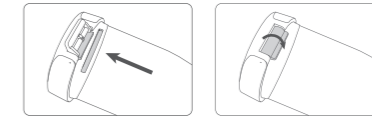


另购附件

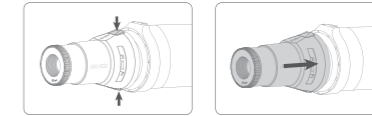


安装说明 (以 V1C 为例)

先将圆形转接件的扣件对准 V1C 卡口，稍微用力将圆形转接件扣进卡口，按下扣件以锁紧转接件。



用手指按压住投影器两边的快装装置，卡入圆形转接件后松开快装装置完成安装。



规格参数

型号	AK-R21
尺寸	79mm*76mm*121mm
净重	182g
标配镜头焦距	65mm

设计和规格如有变更，恕不另行通知。

Foreword

Thank you for purchasing!
Projection Attachment for Flash Head AK-R21 is suitable for most camera flashes with round head and square head, be able to create different effects such as beautiful scenes, fantasy space, special texture and art canvas when collocating with various slides. Please read this manual carefully before using to make sure the correct operation and exert the optimum function.

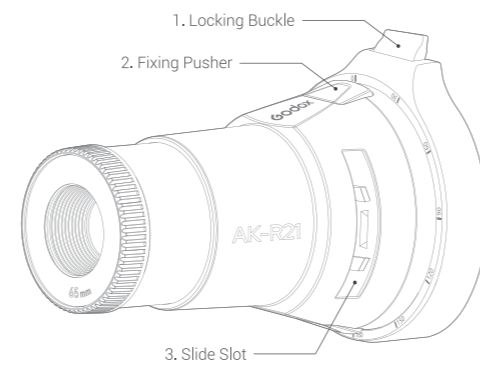
Operation Instruction

1. When this projection attachment is collocating with V860II, V860III, TT685, TT685II and V1 series, Zoom should be set to the Max. value (Zoom=200mm).
2. When this projection attachment is collocating with AD100Pro, Zoom should be set to the Max. value (Zoom=85mm).
3. Use within $1/4+0.2$ stop when collocating with AD200Pro of square flash head.
4. Use within $1/2$ stop when collocating with AD200Pro of round flash head.

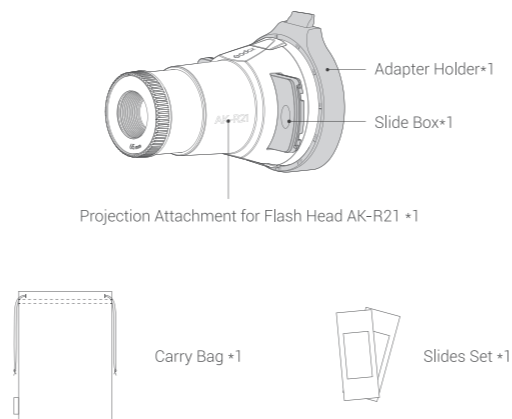
Compatible Godox Models

V860II, V860III, TT685, TT685II, V850III, V1, AD100Pro, AD200Pro
Note: An optional adapter holder AK-R25 is needed when collocating with square flash head.

Name of Parts



What's Inside

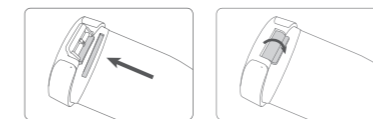


Adapter Holder*1

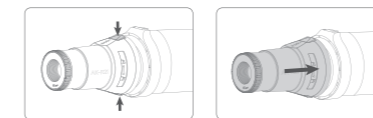


Installation Instruction (Take V1C as an example)

Aim the locking buckle of the adapter holder at the mount of V1C and insert it, then press down the locking buckle to fix it.



Press down the fixing pushers on the both sides, insert the adapter holder into the projection attachment then let go the pushers.



Technical Data

Model	AK-R21
Dimension	79mm*76mm*121mm
Net Weight	182g
Focal Length of Attached Lens	65mm

Specifications and data may subject to changes without notice.

合格证
QC PASS



深圳市神牛摄影器材有限公司
地址: 深圳市宝安区福海街道塘尾社区福川工业区厂房2栋 电话: 0755-29609320(8062)
传真: 0755-25723423 邮箱: godox@godox.com

GODOX Photo Equipment Co., Ltd.
Add.: Building 2, Yaochuan Industrial Zone, Tangwei Community, Fuhai Street, Bao' an District, Shenzhen 518103, China Tel: +86-755-29609320(8062) Fax: +86-755-25723423
E-mail: godox@godox.com

www.godox.com
Made in China | 705-AKR210-01

